

FX-360



COST EFFECTIVE PERFECTION

The FX-360 Ceiling Mount Detector with its Unique, Highly, Durable Spherical Lens Offers Unparalleled 360° Detection Performance and Reliability.

The FX-360 is an extremely cost effective 360° ceiling mount detector. It provides the most unbeatable detection performance and reliability in its class. The FX-360's sleek and compact design suits all types of installation applications.

360° CEILING MOUNT
PASSIVE INFRARED DETECTOR

FX-360



FEATURES

■ Originally Designed Hard Spherical Lens

The FX-360's hard spherical lens is designed with precision—an original feature that enables this detector to provide reliable detection throughout its 360° area.

■ False Alarm Protection

The FX-360 prevents false alarms caused by environmental changes or insensitivity to high temperatures.

- RFI Protection
No alarm at 20V/m from 100MHZ. to 1GHZ.
- Temperature Protection
No alarm during temperature changes from -20° to +50°C at 1.7°C/min. (-4° to +122°F at 3°F/min.)
- Noise Reduction Circuit
- Selectable Pulse Count: 2,4.

■ Advanced Quality Control

•Computerized S.M.D. Technology
Using robotics to mount miniaturized chip components ensures a smooth and uniform production level of high quality.

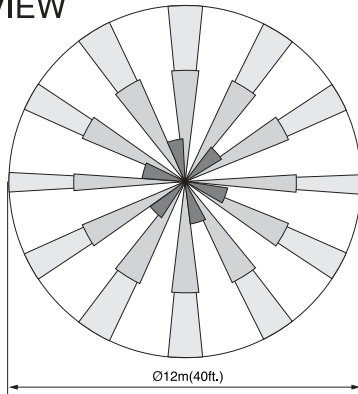
•Running Test on every circuit board
All circuit boards sustain a "Burn-in" test for many hours.

■ Other Features

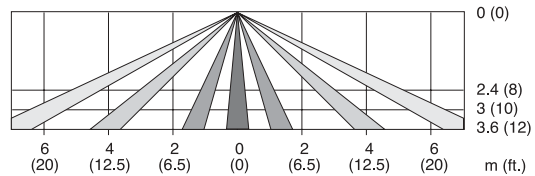
- LED On/Off Switch
- Warm-up Indicator

DETECTION PATTERNS

TOP VIEW



SIDE VIEW



Max. Detection AREA

Installation Height m(ft.)	2.4 (8)	3 (10)	3.6 (12)
Detection Area (Diameter) m(ft.)	8 (25)	10 (32)	12 (40)

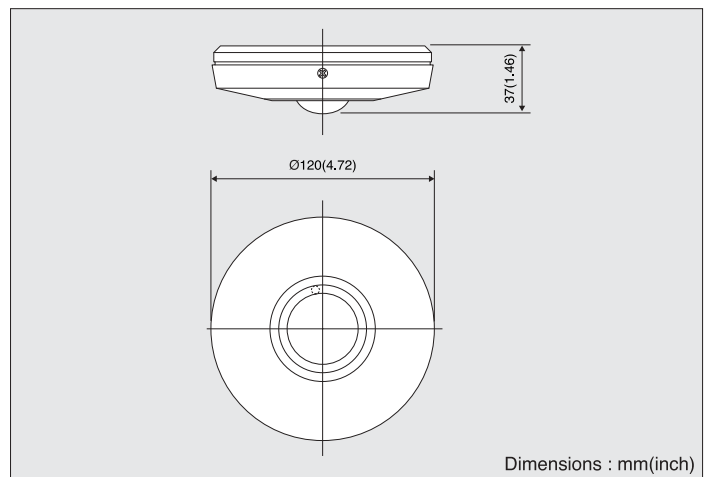
SPECIFICATIONS

Model	FX-360
Detection method	Passive Infrared
Coverage	Ø8m ~ Ø12m(Ø25ft. ~ Ø40ft.) Height: 2.4m ~ 3.6m(8ft. ~ 12ft.)
Detection zones	62 zones
Sensitivity	1.6°C(3°F) at 0.6m/sec.(2ft./sec.)
Detectable speed	0.3 ~ 1.5m (1 ~ 5ft./sec./sec.)
LED indicator	LED blinks during warm-up period Alarm indicator optional
Alarm period	2.0±0.5sec.
Alarm output	N.C. 28V DC 0.2A max.
Tamper switch	N.C. Opens when cover removed.
Pulse count	20±5sec. 2 or 4
Warm-up period	Approx. 30sec. (LED blinks)
Power input	9.5 ~ 18V DC
Current draw	17mA/(normal) 18mA/(max.)
Weight	140g(4.90oz.)
Operating temperature	-20°C ~ +50°C(-4°F ~ +122°F)
Environment humidity	95% max.
RF interference	No Alarm 20 V/m

※Specifications and design are subject to change without prior notice.
NOTE: This unit is designed to detect movement and activate an alarm control panel. Being only a part of a complete system, we cannot assume responsibility for theft or damages, should they occur.

UL LISTED : FX-360 vds LISTED:FX-360-VG196506

DIMENSIONS



Dimensions : mm(inch)



OPTEX CO., LTD. (ISO 9001 Certified by LRQA / ISO14001 Certified by JET)
5-8-12 Ogoto, Otsu, Shiga, 520-0101 Japan
TEL +81(0)77 579 8670 FAX +81(0)77 579 8190 <http://www.optex.co.jp/e>

OPTEX INCORPORATED (USA) <http://www.optexamerica.com>
OPTEX (EUROPE) LTD. (UK) <http://www.optexeurope.com>
(ISO9001 Certified by NQA)

OPTEX SECURITY SAS (FRANCE) <http://www.optex-security.com>
OPTEX KOREA CO., LTD. (KOREA) <http://www.optexkorea.com>
OPTEX SECURITY Sp. z o.o. (POLAND)

"Take Care of the Environment" This catalogue uses recycled paper No. 75069-04-909-0604